



DLx SQUARE JACK



WARNING READ INSTRUCTIONS CAREFULLY BEFORE ATTEMPTING TO INSTALL, OPERATE OR SERVICE THIS JACK. FAILURE TO COMPLY WITH INSTRUCTIONS COULD RESULT IN SERIOUS INJURY. RETAIN THESE INSTRUCTIONS FOR FUTURE REFERENCE.

ASSEMBLY

Bolted Swivel Mount Assemble jack as shown in the parts drawing making sure that the protrusion in the center of the clover washer enters the center hole in the swivel plate. Tighten nuts evenly.

MOUNTING

Bolt-on Place jack on trailer tongue in a location that avoids interference with the boat, trailer and tow vehicle during all conditions of use. Make sure the jack cannot contact the tow vehicle when making tight turns. Tighten all bolts evenly.

Weld-on Weld on jack brackets need to be installed by a competent welder. Determine location per instruction above. After bracket is painted, assemble jack according to the parts drawing and assembly instructions above.

OPERATION

Check for full engagement of the swivel handle into the swivel plate before every use of the jack.

WARNING Use of a swivel type jack without the swivel handle completely engaged could result in the trailer tongue suddenly dropping and could cause personal injury.

When jack reaches either end of its travel do not force handle or damage to the jack will result. When moving trailer by hand, crank jack to lowest position. Do not use the jack as a convenient hand hold. Avoid rolling jack over rough or soft surfaces. Before towing the trailer, pivot the jack to horizontal position and be certain swivel handle is engaged.

CAUTION Loads in excess of rating shown on jack label will cause accelerated wear and possible failure. This jack is not for highway use. Never tow trailer with load applied to jack.

MAINTENANCE

Minimal maintenance is required to keep your tongue jack looking new and in good working order. Protect the finish by keeping it clean and periodically applying a coating of wax. Lubrication is needed if the jack ever feels rough or produces a grinding noise when cranked. With weight off the jack, remove the plastic end cap. Remove pin (1)

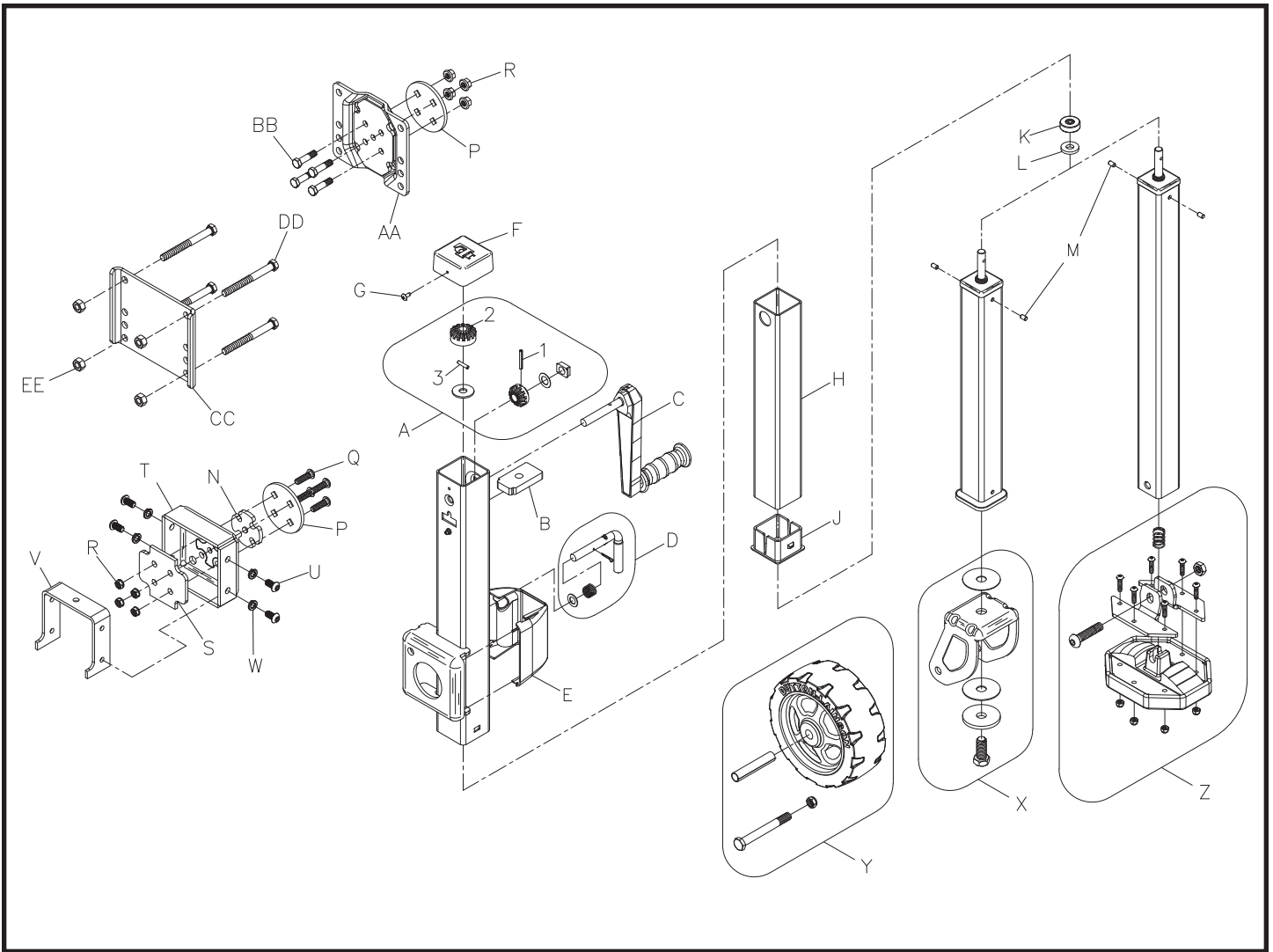
holding handle in place. Carefully remove the bevel gear (2) on top of screw. Remove dowel pin (3) located under bevel gear. Carefully remove inner tube assembly. Do not attempt to remove screw from inner tube. Lubricate screw by working grease into entire thread. Reassemble and grease bevel gears.



A Dependable Company Since 1886

DUTTON-LAINSON COMPANY
Hastings, NE 68902 U.S.A. • Tel 402-462-4141 • Fax 402-460-4612
www.dutton-lainson.com • E-mail: dlsales@dutton-lainson.com

MADE IN
U.S.A.



DLx Square Jack Parts List

Ref.	Description	Part No.	Ref.	Description	Part No.
A	Sq. DLx Miter Gear Kit	5223326	R	Flanged Lock Nut 3/8" (4)	205285
B	Load Plate	207587	S	Support Plate	403838
C	Sq. DLx Jack Handle w/Pin	5223334	T	Weld On Cover Bracket	403834-CG
D	Sq. DLx Swivel Handle Kit	5223342	U	SS Cap Screw 3/8"-16 x 3/4" (4)	206795
E	Swivel Bracket Cover	207575	V	Threaded Weld On Strap	403580
F	Sq. DLx Jack Cap	207572	W	SS Lock Washer, 3/8" (4)	206783
G	Thread Cutting Screw	207597	X	Wide 8" Wheel Bracket Kit	5223383
H	Inner Sleeve	207570	Y	Wide 8" Wheel Kit	5223375
J	Sq. Jack Bushing	403811	Z	Pivoting Foot Kit	5223250
K	Thrust Bearing	207121	AA	Swivel Plate Assy	303893-CG
L	Flat Washer	207120	BB	Cap Screw 3/8"-16 X 1-1/2" (4)	203136
M	Dowel Pin (2)	207566	CC	Clamp Plate	403845-CG
N	Clover Leaf Washer	403283	DD	Cap Screw 7/16"-14 X 4-1/4" (4)	207618
P	Swivel Bracket Washer, 4 Hole	403839	EE	Lock Nut 7/16"-14 (4)	207617
Q	Carriage Bolt 3/8"-16 x 1-1/2" (4)	205471			

To order these accessories or replacement parts contact your D-L dealer or

Dutton-Lainson Company
 www.dlco.com
 Tel: 800-569-6577
 Fax: 402-460-4612
 e-mail: DLsales@dutton-lainson.com