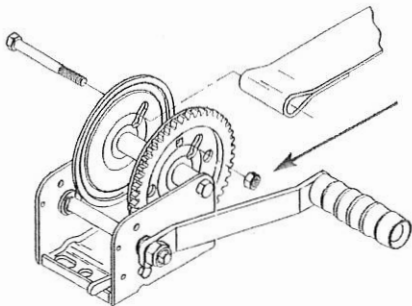


INSTALLATION INSTRUCTIONS

Slide bolt to bottom of slot & tighten nut until snug. Do not over tighten.



Nut must be on gear side as shown. Use lock nut only.



WARNING: This strap is for hand operated winches up to the capacity listed on label. Overload or misuse could cause serious personal injury. Keep winching area free of all unnecessary personnel. Never stand in line with the load and the winch. Inspect strap and hook on each use and replace at the first sign of wear or abnormal appearance. **NOT FOR MOVEMENT OF HUMANS.**

206520



A Dependable Company Since 1886

DUTTON-LAINSON COMPANY

Hastings, NE 68902 U.S.A. • Tel 402-462-4141 • Fax 402-460-4612
www.dutton-lainson.com • E-mail: dlsales@dutton-lainson.com