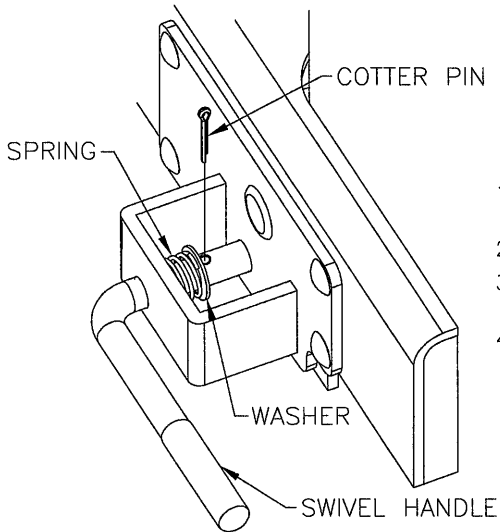


# 22313

FOR RANGER  
CENTER SWING  
TONGUE JACKS



- 1.) INSERT NEW SPRING AND WASHER AS SHOWN.
- 2.) INSERT SWIVEL HANDLE THROUGH HOLE.
- 3.) COMPRESS SPRING AND WASHER AND DROP COTTER PIN THROUGH HOLE.
- 4.) TURN SWIVEL HANDLE  $1/2$  TURN AND SPREAD PRONGS OF COTTER PIN.