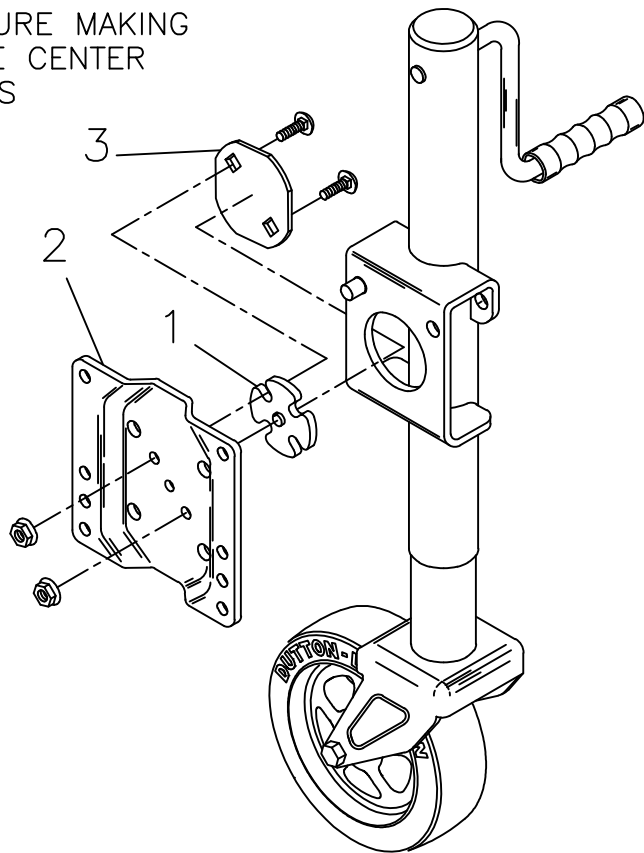


ASSEMBLE JACK AS SHOWN IN PICTURE MAKING SURE THAT THE PROTRUSION IN THE CENTER OF THE CLOVER WASHER (1) ENTERS THE CENTER HOLE IN THE SWIVEL PLATE (2). PRINTING ON THE SWIVEL BRACKET WASHER (3) SHOULD NOT BE VISIBLE AFTER ASSEMBLY. USE TWO BOLTS PROVIDED AND TIGHTEN EVENLY UNTIL SNUG.



207489A