



6608 Tongue Jack Wheel Lock

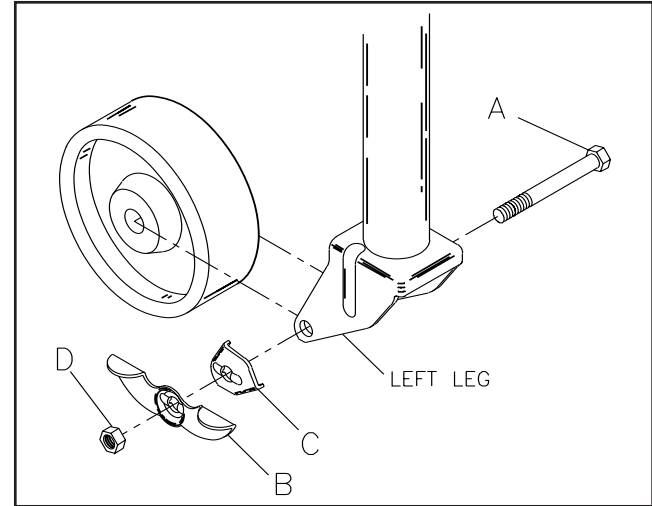
OPERATING INSTRUCTIONS

To lock wheel, step down on "ON" side of lock lever.
To release, step on "OFF" side of lever.

NOTE: The nut may need to be tightened periodically to maintain a good secure wheel lock.

⚠ WARNING! TRAILER WHEELS MUST BE BLOCKED WHEN TRAILER IS PARKED ON AN INCLINE.

A – 1/2-13 x 3-1/2 Hex Bolt	203279
B – Lock Lever	403309
C – Lock Bracket	403308
D – 1/2-13 Hex Locknut	203367



A Dependable Company Since 1886

DUTTON-LAINSON COMPANY

Hastings, NE 68902 U.S.A. • Tel 402-462-4141 • Fax 402-460-4612
www.dutton-lainson.com • E-mail: dlsales@dutton-lainson.com

MADE IN
U.S.A.