



Model 6387 & 6388 Roller Bunks

! IMPORTANT SAFETY INFORMATION

To prevent damage to bunks and/or boat:

1. Never exceed rated capacity of bunks. Capacity is based on good contact with all rollers and even distribution of weight on rollers.
2. Back into water far enough to allow boat to float part way on or off trailer.

INSTALLATION INSTRUCTIONS

The DL Model Nos. 6387 and 6388 roller bunks are made to replace or fit onto conventional carpeted wood bunks. Mounting hardware (not included) should be 3/8" cap screws, flat washers, lock washers and nuts or 3/8" lag screws for mounting to wooden bunks.

If the roller bunks are replacing wood bunks, simply remove the wood bunks from the mounting bracket and replace with the roller bunks. The roller bunks are equipped with several sets of mounting holes, but drilling an additional set of holes to match existing bracket locations may be necessary. The DL Model No. 6389 roller bunk bracket is specifically made to be used with the No. 6387 and 6388 roller bunks (see Figure 1). These have a pivoting feature that allows the roller bunk to conform to the hull of the boat. If the wood bunks are mounted from the bottom, you should be able to use your present bunk brackets, but this may not hold true in all instances, because some manufacturers make brackets to different dimensions. If this is the case, DL No. 6389 brackets are recommended.

The roller bunks could also fit directly onto carpeted wood bunks. Simply place the roller bunk directly on top of the wood bunk and move it laterally to the desired position to best fit your boat hull. Drill proper size hole thru the wood bunks using the existing mounting holes in the roller bunks as your guides. Use 3/8" cap screws of appropriate length along with flat washers, lock washers and nuts or 3/8" lag screws for securing to the wood bunks (see Figure 2). NOTE: If this method is used, the roller bunks will be higher than the previous wood bunks. It may be necessary to lower the bunk brackets to get the same height as before. NOTE: Rollers can be ordered as replacement parts. If ordering rollers, order Part No. 203228.

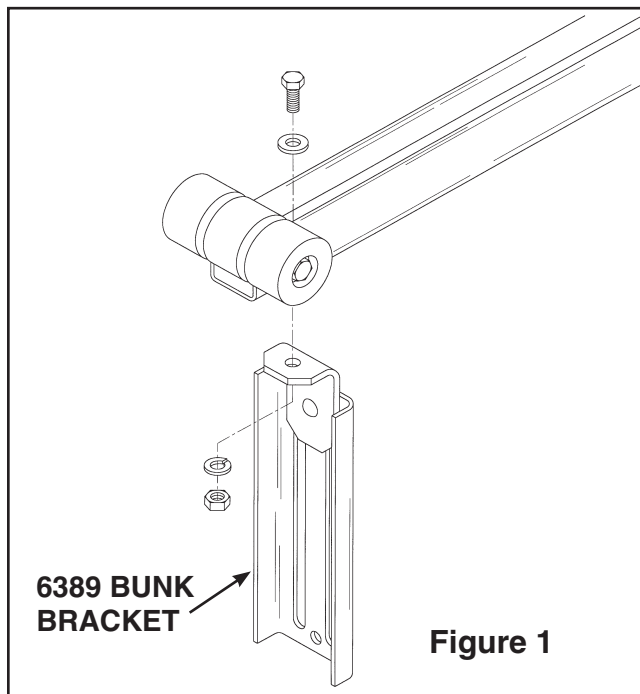


Figure 1

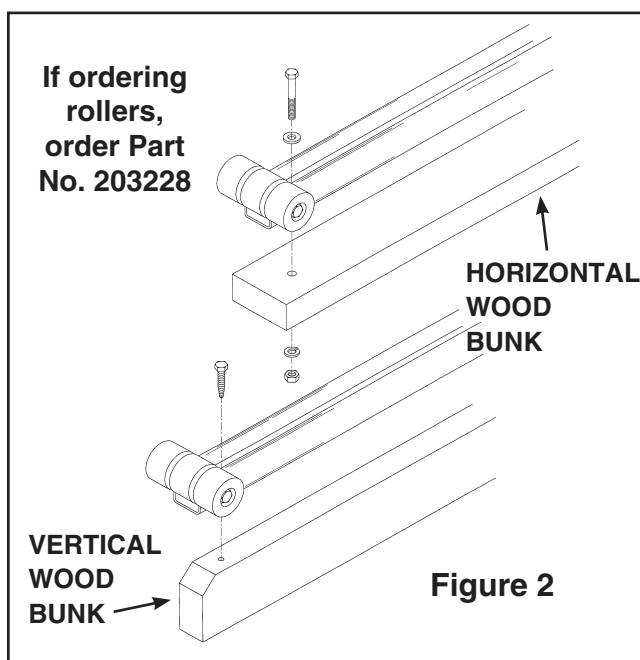


Figure 2



A Dependable Company Since 1886
DUTTON-LAINSON COMPANY
Hastings, NE 68902 U.S.A. • Tel 402-462-4141 • Fax 402-460-4612
www.dutton-lainson.com • E-mail: dlsales@dutton-lainson.com

MADE IN
U.S.A.