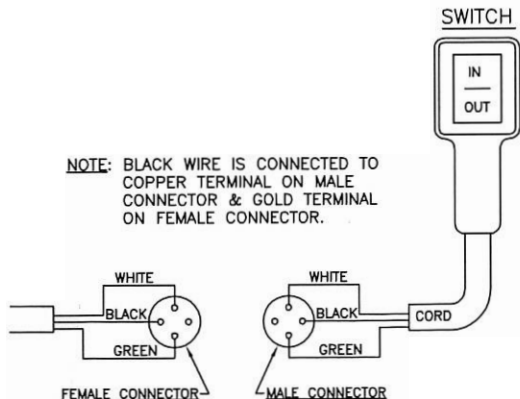


This replacement switch has a newer style plug connector on the cord. If the female connector on the end of the pigtail coming from the winch has a different type of connector, it will have to be replaced with the female connector that is included with this remote switch. If the new cord plug fits the connector on the winch, nothing more needs to be done.

ASSEMBLY INSTRUCTIONS

1. If a new female connector is required, pull back the rubber boot on the male connector to see where the 3 colored wires of the cord are attached to the connector.
2. Disconnect electrical power from winch. Remove the old female connector from the pigtail and attach new female connector making sure all wires are matched to the wires of the male connector (white to white, black to black & green to green) when the two are connected. NOTE: Black wire is attached to the gold terminal of the female connector. See wiring diagram below.



12VDC REPLACEMENT SWITCH

206711B

VIEW LOOKING AT BACK SIDE OF CONNECTOR