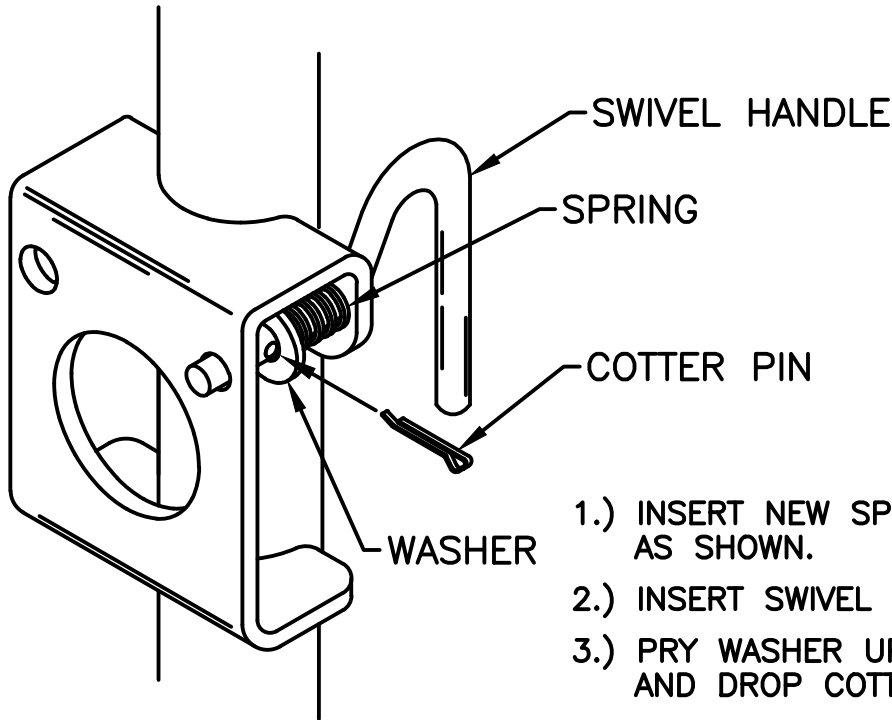


# 22449

FOR JACKS WITH DATE  
CODE 4398 AND AFTER



- 1.) INSERT NEW SPRING AND WASHER AS SHOWN.
- 2.) INSERT SWIVEL HANDLE THROUGH HOLE.
- 3.) PRY WASHER UP FROM BRACKET AND DROP COTTER PIN THROUGH HOLE.
- 4.) TURN SWIVEL HANDLE 1/2 TURN AND SPREAD PRONGS OF COTTER PIN.