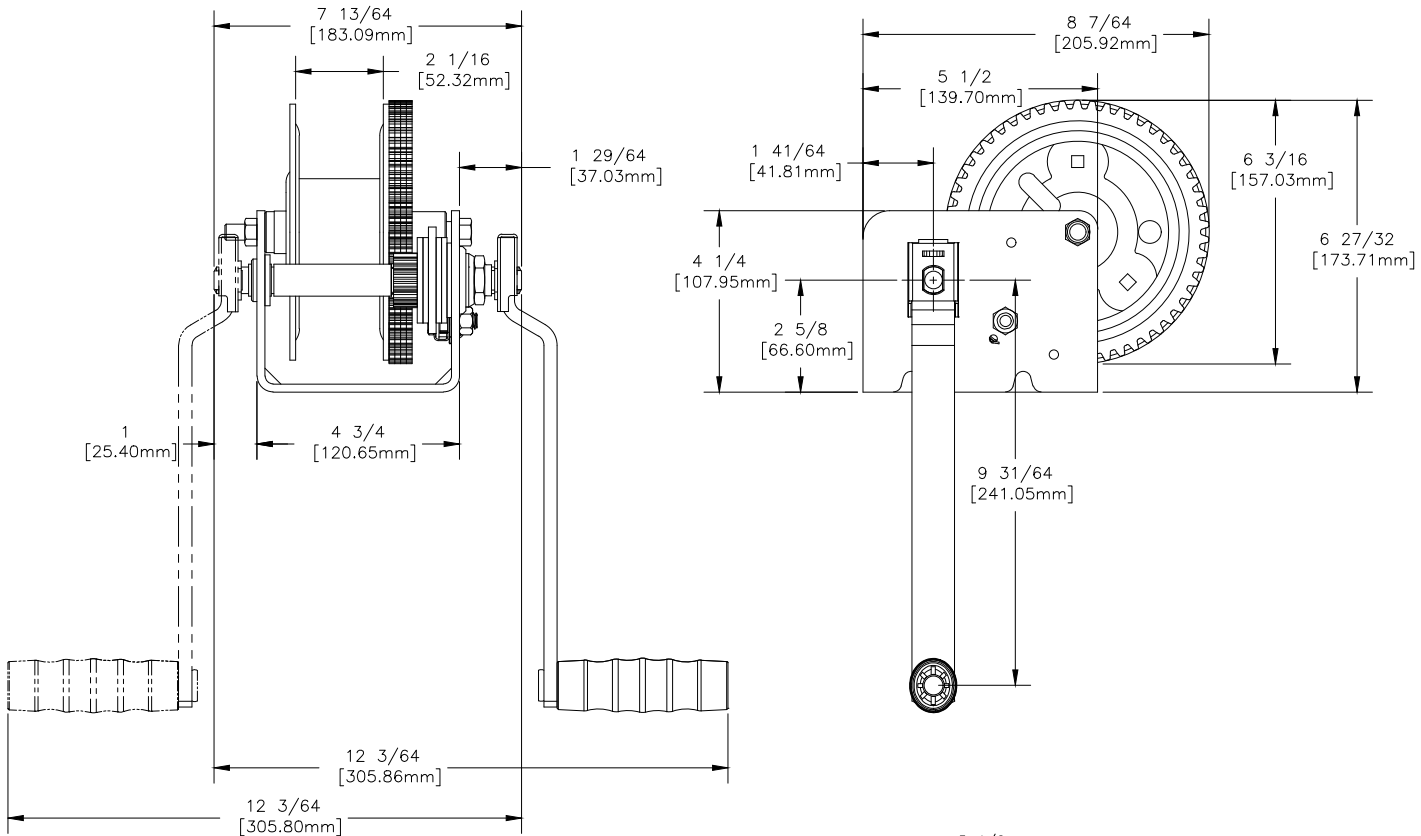


MODEL  
DLB1550A WITH  
REMOVABLE HANDLE  
1500lb/680kg CAPACITY  
BRAKE WINCH

FRONT & SIDE VIEW



HANDLE FITS ON EITHER SIDE

BASE HOLE PATTERN

