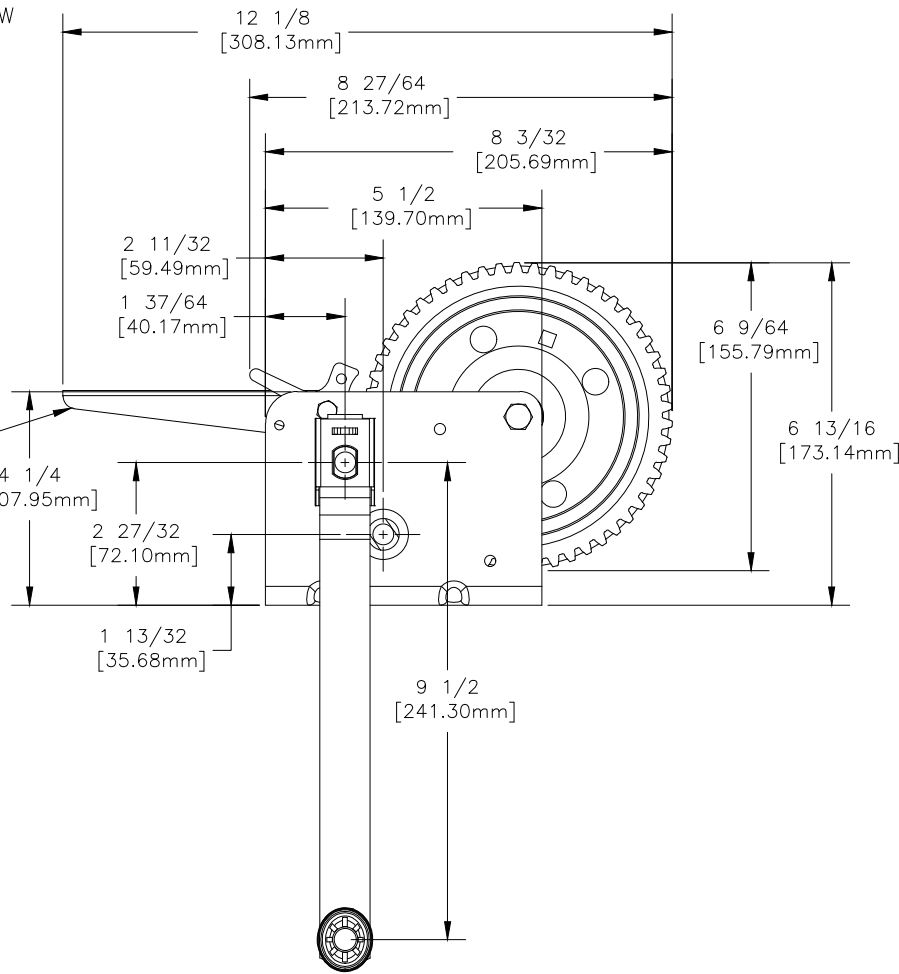
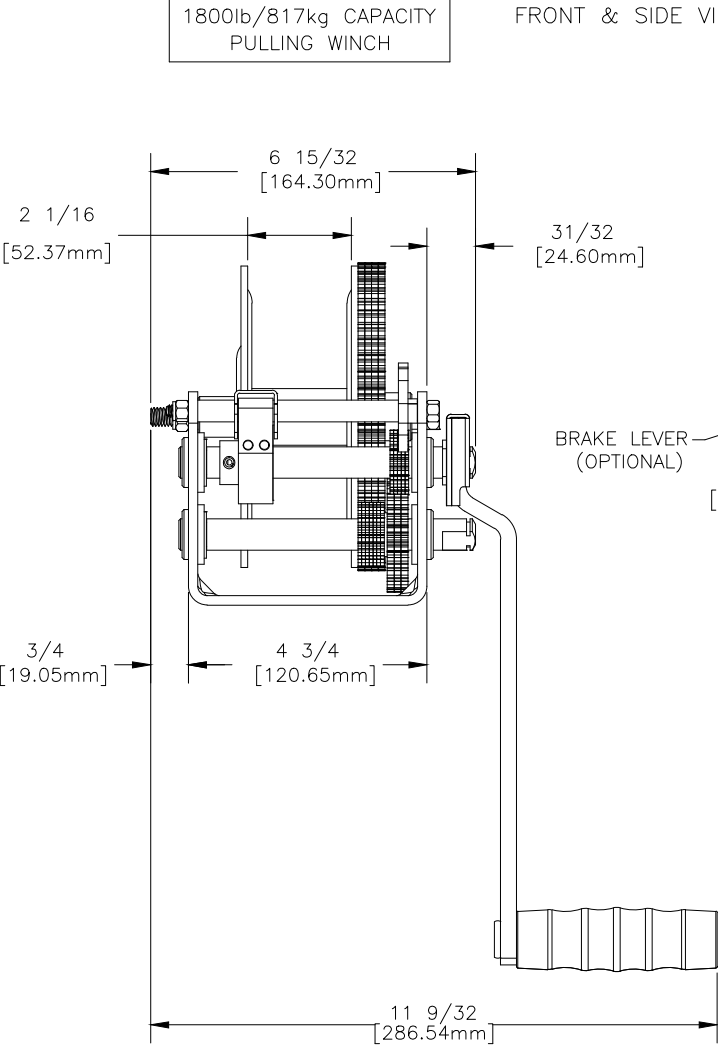


MODEL
DL1800A
1800lb/817kg CAPACITY
PULLING WINCH

FRONT & SIDE VIEW



BASE HOLE PATTERN

