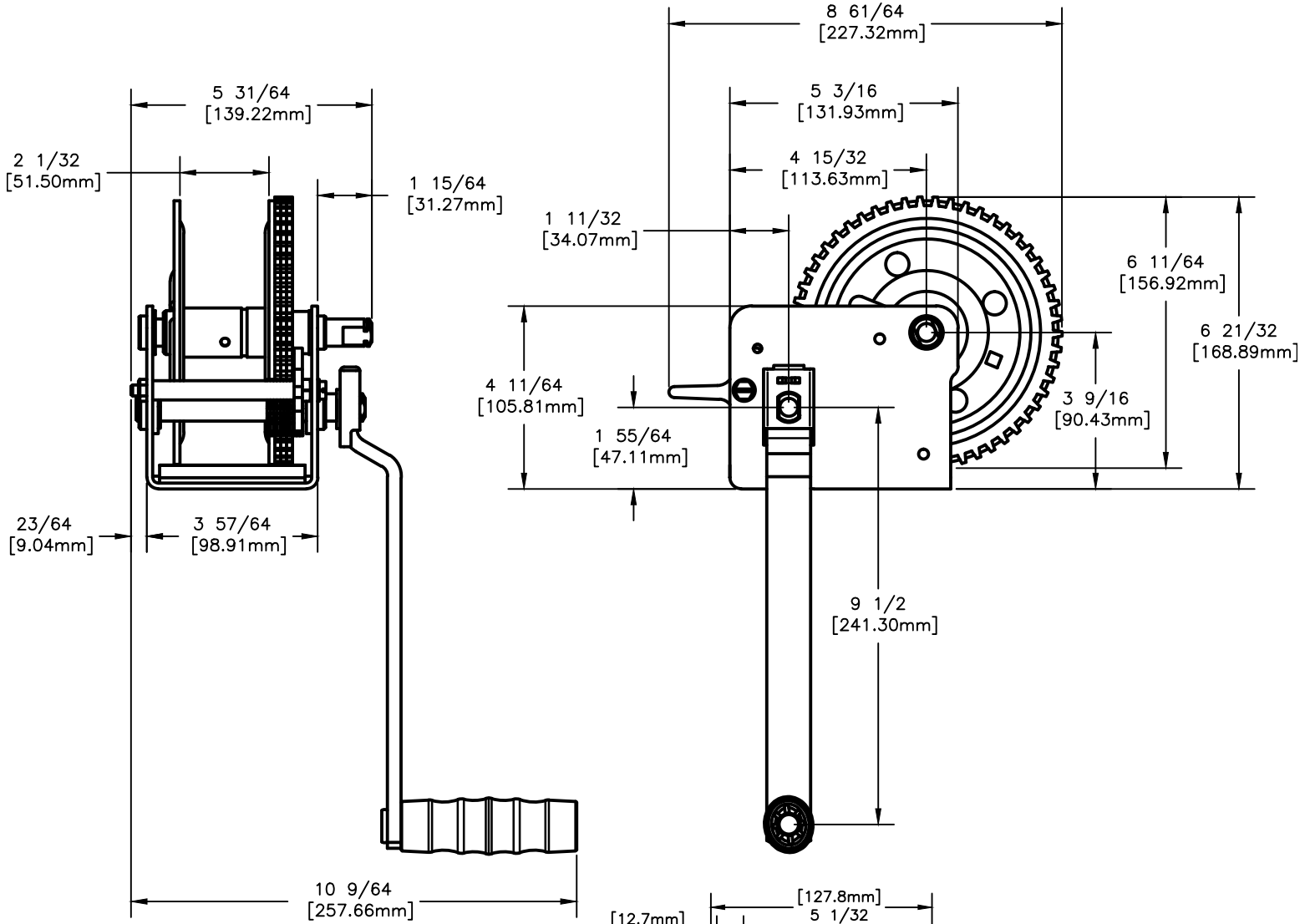


FRONT & SIDE VIEW

MODEL DL1602ADD
 1600lb/726kg CAPACITY
 PULLING WINCH



BASE HOLE PATTERN

