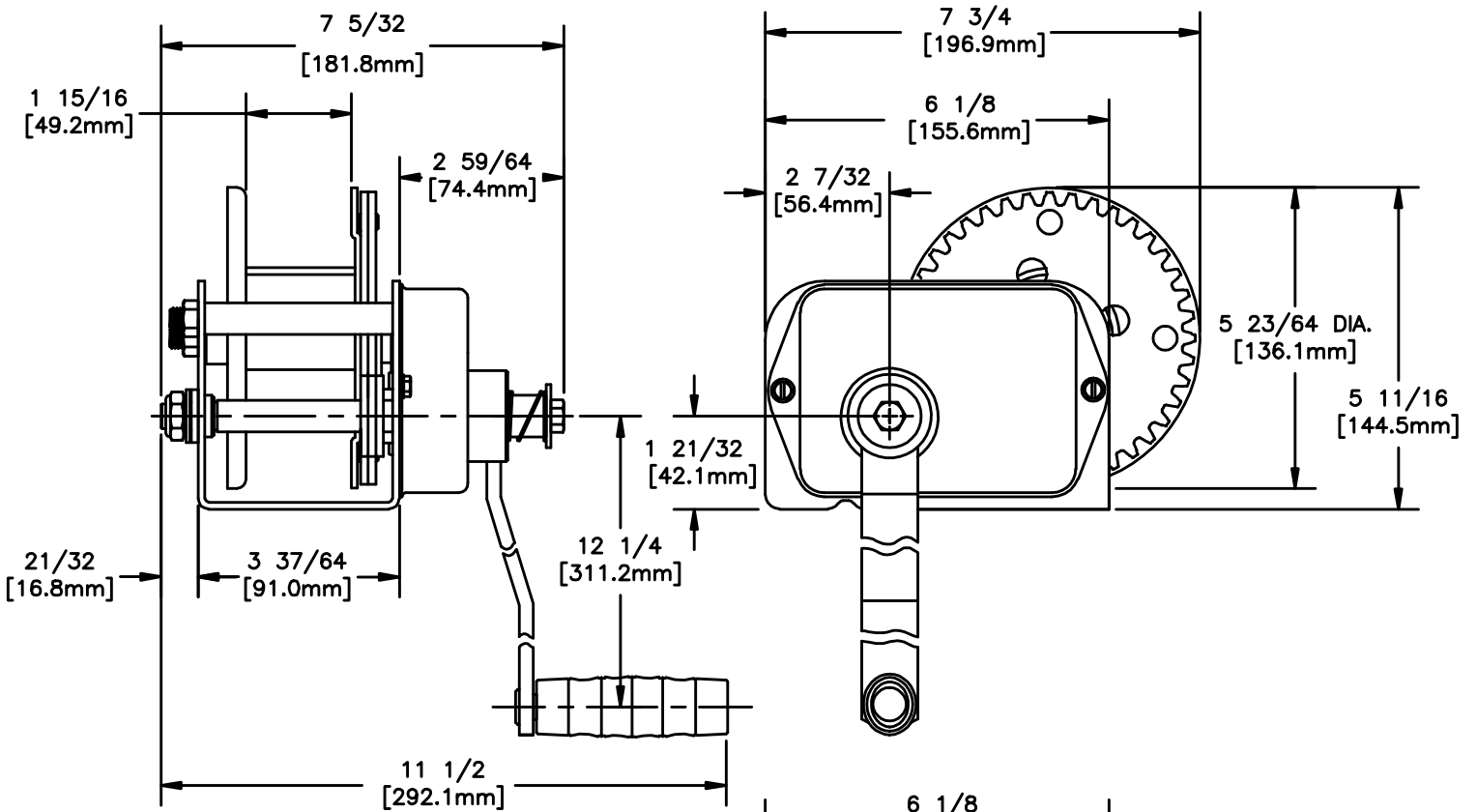


FRONT & SIDE VIEW

MODEL  
B1200B/B1202B  
1200lb/545kg CAPACITY  
BRAKE WINCH



BASE HOLE PATTERN

