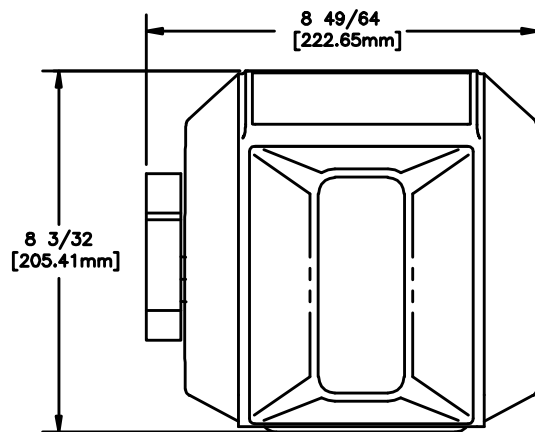
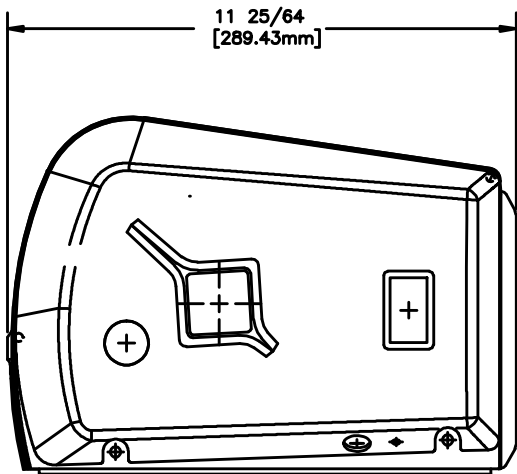
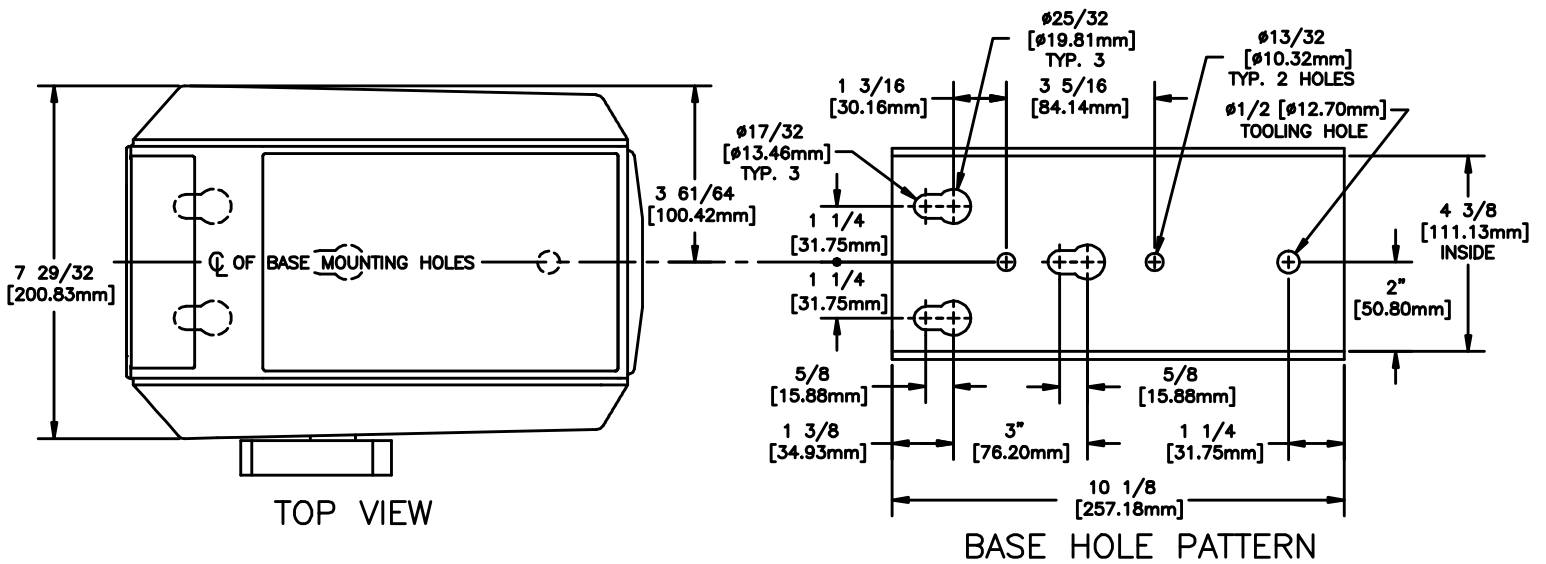


MODEL SA9000/12000
 SA9000 DC-3000lb/1362kg CAPACITY
 SA9000 AC-2700lb/1226kg CAPACITY
 SA12000 DC-4500lb/2043kg CAPACITY
 SA12000 AC-4000lb/1816kg CAPACITY
StrongArm ELECTRIC WINCH



SIDE VIEW

FRONT VIEW