



DLx-P ROUND JACK



WARNING READ INSTRUCTIONS CAREFULLY BEFORE ATTEMPTING TO INSTALL, OPERATE OR SERVICE THIS JACK. FAILURE TO COMPLY WITH INSTRUCTIONS COULD RESULT IN SERIOUS INJURY. RETAIN THESE INSTRUCTIONS FOR FUTURE REFERENCE.

ASSEMBLY

Bolted Swivel Mount Assemble jack as shown in the parts drawing making sure that the protrusion in the center of the clover washer enters the center hole in the swivel plate. Tighten nuts evenly.

MOUNTING

Bolt-on Place jack on trailer tongue in a location that avoids interference with the boat, trailer and tow vehicle during all conditions of use. Make sure the jack cannot contact the tow vehicle when making tight turns. Tighten all bolts evenly.

Weld-on Weld on jack brackets need to be installed by a competent welder. Determine location per instruction above. After bracket is painted, assemble jack according to the parts drawing and assembly instructions above.

OPERATION

Check for full engagement of the swivel handle into the swivel plate before every use of the jack.

WARNING Use of a swivel type jack without the swivel handle completely engaged could result in the trailer tongue suddenly dropping and could cause personal injury.

When jack reaches either end of its travel do not force handle or damage to the jack will result. When moving trailer by hand, crank jack to lowest position. Do not use the jack as a convenient hand hold. Avoid rolling jack over rough or soft surfaces. Before towing the trailer, pivot the jack to horizontal position and be certain swivel handle is engaged.

CAUTION Loads in excess of rating shown on jack label will cause accelerated wear and possible failure. This jack is not for highway use. Never tow trailer with load applied to jack.

MAINTENANCE

Minimal maintenance is required to keep your tongue jack looking new and in good working order. Protect the finish by keeping it clean and periodically applying a coating of wax. Lubrication is needed if the jack ever feels rough or produces a grinding noise when cranked. With weight off the jack, remove the plastic end cap. Remove pin (1)

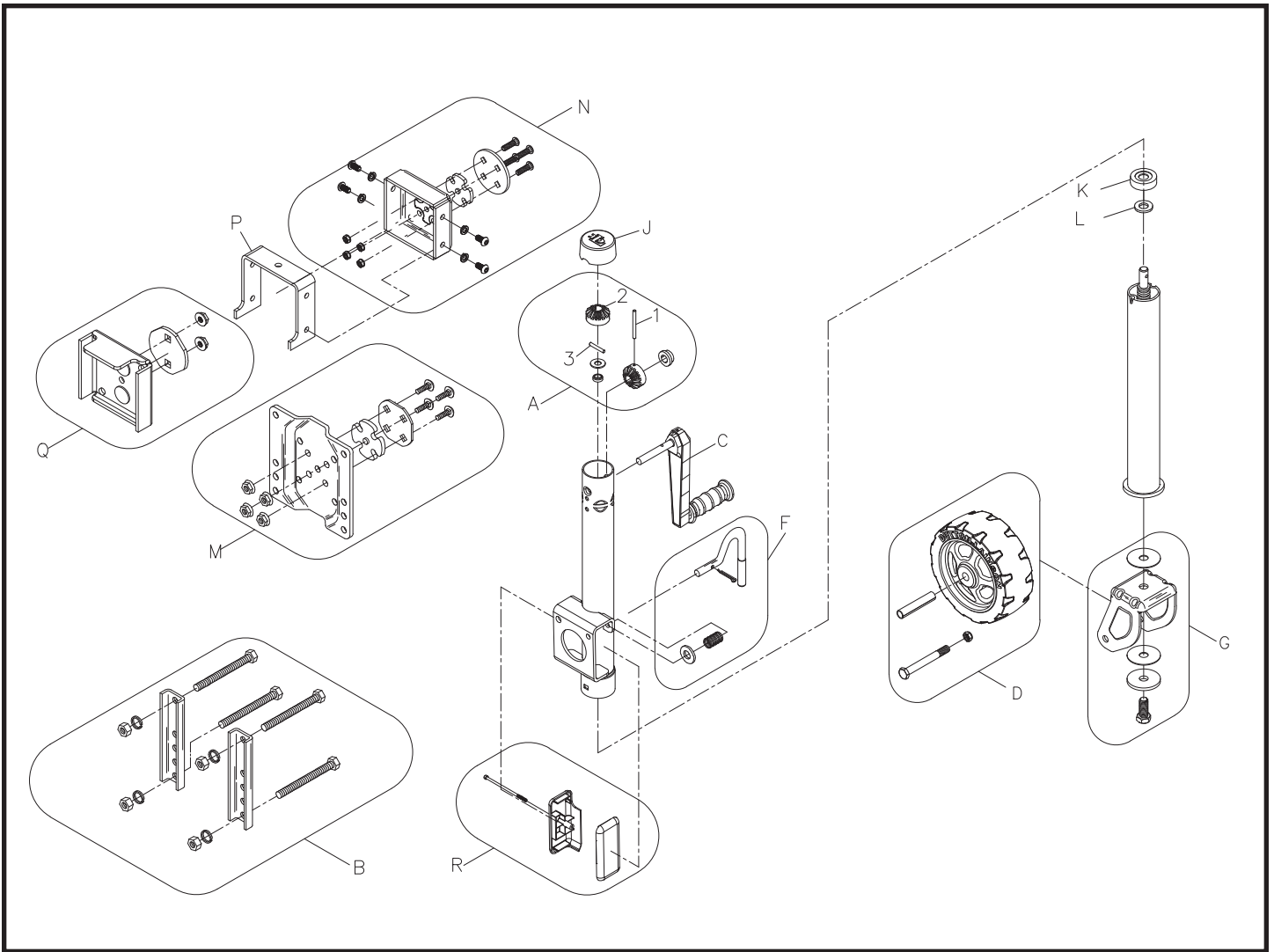
holding handle in place. Carefully remove the bevel gear (2) on top of screw. Remove dowel pin (3) located under bevel gear. Carefully remove inner tube assembly. Do not attempt to remove screw from inner tube. Lubricate screw by working grease into entire thread. Reassemble and grease bevel gears.



A Dependable Company Since 1886

DUTTON-LAINSON COMPANY
Hastings, NE 68902 U.S.A. • Tel 402-462-4141 • Fax 402-460-4612
www.dutton-lainson.com • E-mail: dlsales@dutton-lainson.com

MADE IN
U.S.A.



DLx-P Round Jack Parts List

Ref.	Description	Part No.
A	6813A Miter Gear Kit	5224399
B	6804 Clamp & Bolt Kit	5224431
C	6811XP Jack Handle w/Pin	5222302
D	6807W Wide 8" Wheel Kit	5223375
F	Swivel Handle 1/2" Dia. Kit	5224548
G	Wide 8" Wheel Bracket Ass'y	5223383
J	6602XP Jack Cap & Screw	5222294
K	Thrust Bearing	207121
L	Flat Washer	207120
M	6808XP Swivel Plate Kit 1/2" Black	5222310
N	Weld on Cover Bracket Kit	5222336
P	Threaded Weld On Strap	403580
Q	Short Weld on Bracket Assembly (6610)	5227533
R	DLx-P Swivel Cover Bracket Kit	5223243

To order these accessories or replacement parts contact your D-L dealer or

Dutton-Lainson Company
 www.dlco.com
 Tel: 800-569-6577
 Fax: 402-460-4612
 e-mail: DLsales@dutton-lainson.com